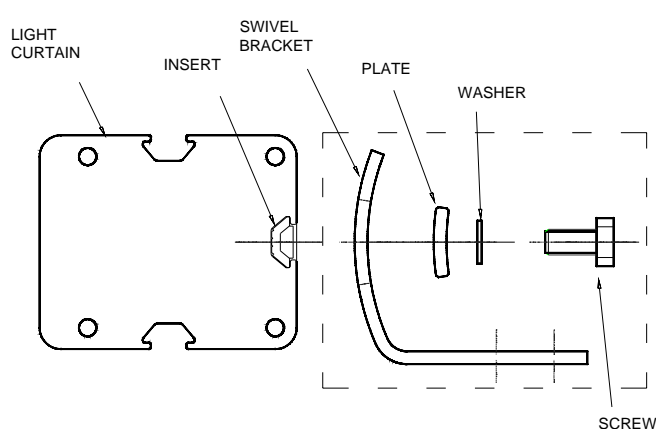


4 SFB 4J adjustable fixing brackets set

The present technical sheet is supplied with the 4 SFB 4J adjustable fixing brackets set, to permit the customer to have the correct instructions about the fixing of these brackets on the JANUS series light curtains.

ASSEMBLING THE BRACKETS WITH THE BARRIER

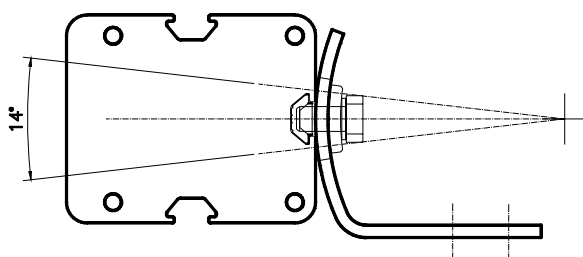
- Lodge the insert provided with the barrier in the guide on the back of the profile.
 - Mount the adjustable brackets on the profile following the scheme of Figure 1.
 - Fix the bracket to the barrier tightening the exagonal head screw.
- **THE COMPONENTS INSIDE THE DASHED BOX ARE CONTAINED IN THE FITTING BOX OF THE SFB 4J BRACKETS.**



SFB 4J	Set of 4 fixing brackets
---------------	--------------------------

Figure 1

ADJUSTMENT



Centre mounting of the adjustable bracket.

Fine 14 degrees adjustment is available.

Figure 2

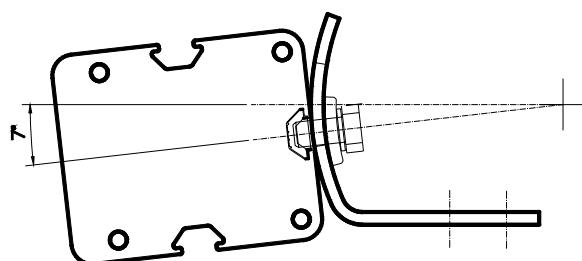


Figure 3

Adjustable bracket fixing with 7° left orientation.

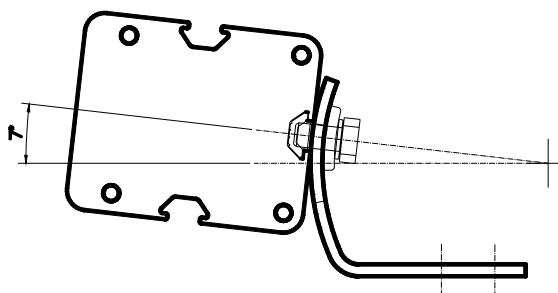


Figure 4

Adjustable bracket fixing with 7° right orientation.